

# INGE Hybrid Inverter

## SUN-5K-SG03LP1-EU



Max. Efficiency  
97.6%



2 MPPT



RS485/CAN



Internal SPD



Zero Export



IP65  
Ingress Protection



High Power  
Factor



High Surge  
Endurance



AC Coupled



Support Generator  
Connection

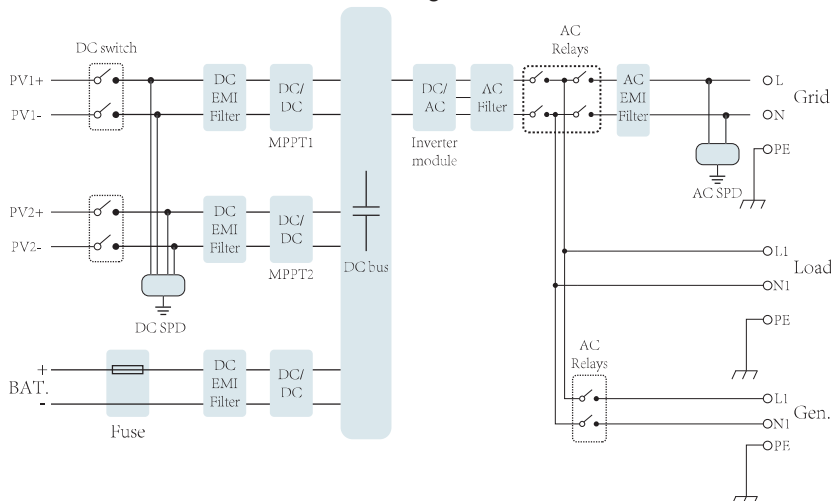


Six Time of  
Use Setting

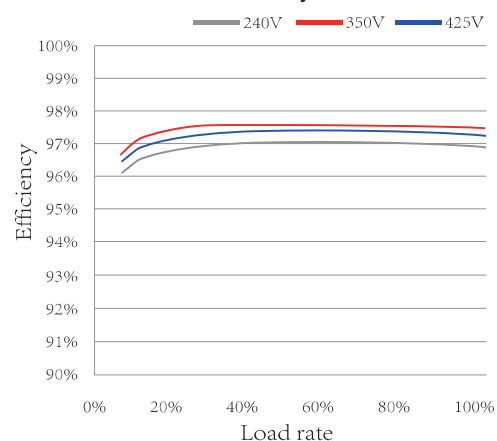


Support Multiple  
Parallel

Circuit block diagram



Efficiency curve



# INGE - SUN- 5K-SG03LP1-EU

## Technical Specifications

<b>Model</b>	SUN-5K-SG03LP1 -EU
<b>Battery Input Data</b>	
Battery Type	Lead-acid or Li-Ion
Battery Voltage Range (V)	40~60V
Max.Charging Current (A)	120A
Max.Discharging Current (A)	120A
Charging Curve	3 Stages/Equalization
External Temperature Sensor	Optional
Charging Strategy for Li-Ion Battery	Self-adaption to BMS
<b>PV String Input Data</b>	
Max.DC Input Power (W)	6500W
PV Input Voltage (V)	370V(100V~500V)
MPPT Range (V)	125~425V
Full Load DC Voltage Range	240~425V
Start-up Voltage (V)	150V
PV Input Current (A)	11A+11A
No.of MPPT Trackers	2
No.of Strings Per MPPT Tracker	1+1
<b>AC Output Data</b>	
Rated AC Output and UPS Power (W)	5000W
Max AC Output Power (W)	5500W
Peak Power(off grid)	2 times of rated power, 10 S
AC Output Rated Current(A)	21.7A
Max.AC Current(A)	25A
Max Continuous AC Passthrough(A)	35A
Power Factor	0.8 leading to 0.8 lagging
Output Frequency and Voltage	50Hz-220/230/240Vac(single phase)
Grid Type	Single Phase
Current Harmonic Distortion	THD<3%(Linear load<1.5%)
<b>Efficiency</b>	
Max.Efficiency	97.60%
Euro Efficiency	96.50%
MPPT Efficiency	99.90%
<b>Protection</b>	
PV Input Lightning Protection	Integrated
Anti-islanding Protection	Integrated
PV String Input Reverse Polarity Protection	Integrated
Insulation Resistor Detection	Integrated
Residual Current Monitoring Unit	Integrated
Output Over Current Protection	Integrated
Output Shorted Protection	Integrated
Output Over Voltage Protection	Integrated
<b>Certifications and Standards</b>	
Grid Regulation	VDE 0126,AS4777,NRS2017,G98,G99,IEC61683,IEC62116,IEC61727
Safety Regulation	IEC62109-1, IEC62109-2
EMC	EN61000-6-1, EN61000-6-3
<b>General Data</b>	
Operating Temperature Range ( C )	-25~60 C , >45 C Derating
Cooling	Fan
Noise (dB)	<30
Communication with BMS	RS485; CAN
Weight (kg)	20.5
Size (Length*Width*Height mm)	580×330×208 mm
Protection Degree	IP65
Installation Style	Wall-mounted
Warranty	5 years

# INGE Hybrid Inverter

## SUN-8K-SG01LP1-EU



Max. Efficiency  
97.6%



2 MPPT



RS485/CAN



Internal SPD



Zero Export



IP65  
Ingress Protection



High Power  
Factor



High Surge  
Endurance



AC Coupled



Support Generator  
Connection

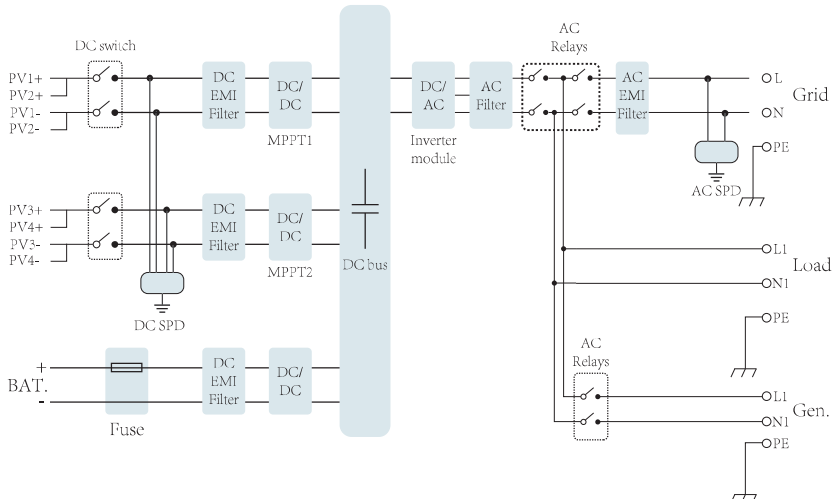


Six Time of  
Use Setting

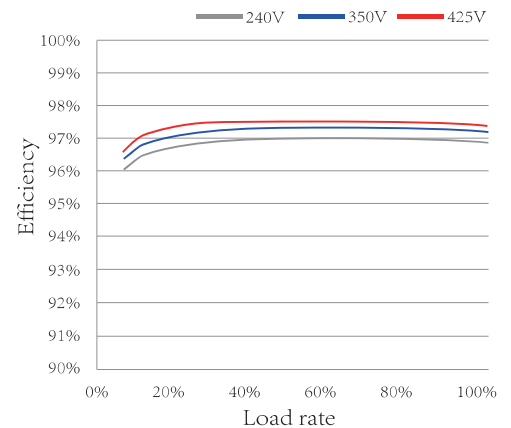


Support Multiple  
Parallel

Circuit block diagram



Efficiency curve



# INGE - Hybrid Inverter

## Technical Specifications

Model	SUN-8K-SG01LP1 -EU
<b>Battery Input Data</b>	
Battery Type	Lead-acid or Li-Ion
Battery Voltage Range (V)	40~60V
Max.Charging Current (A)	190A
Max.Discharging Current (A)	190A
Charging Curve	3 Stages/Equalization
External Temperature Sensor	Optional
Charging Strategy for Li-Ion Battery	Self-adaption to BMS
<b>PV String Input Data</b>	
Max.DC Input Power (W)	10400W
PV Input Voltage (V)	370V(100V~500V)
MPPT Range (V)	125V-425V
Start-up Voltage (V)	125V
PV Input Current (A)	18A+18A
No.of MPPT Trackers	2
No.of Strings Per MPPT Tracker	2+2
<b>AC Output Data</b>	
Rated AC Output and UPS Power (W)	8000W
Max AC Output Power (W)	8800W
Peak Power(off grid)	2 times of rated power, 10 S
AC Output Rated Current(A)	33.4A/35A
Max.AC Current(A)	38.3A/40A
Max Continuous AC Passthrough(A)	50A
Output Frequency and Voltage	50/60Hz; 230Vac(single phase)
Grid Type	Single Phase
Current Harmonic Distortion	THD<3%(Linear load<1.5%)
<b>Efficiency</b>	
Max.Efficiency	97.60%
Euro Efficiency	97.00%
MPPT Efficiency	99.90%
<b>Protection</b>	
PV Arc Fault Detection	Integrated (Except European Type)
PV Input Lightning Protection	Integrated
Anti-islanding Protection	Integrated
PV String Input Reverse Polarity Protection	Integrated
Insulation Resistor Detection	Integrated
Residual Current Monitoring Unit	Integrated
Output Over Current Protection	Integrated
Output Shorted Protection	Integrated
Output Over Voltage Protection	Integrated
<b>Certifications and Standards</b>	
Grid Regulation	AS4777,NRS2017,G98,G99,IEC61683,IEC62116,IEC61727
Safety Regulation	IEC62109-1, IEC62109-2
EMC	EN61000-6-1, EN61000-6-3
<b>General Data</b>	
Operating Temperature Range (°C)	-25~60°C, >45°C Derating
Cooling	Fan
Noise (dB)	<30
Communication with BMS	RS485; CAN
Weight (kg)	32
Size (Length*Width*Height mm)	670×420×233mm
Protection Degree	IP65
Installation Style	Wall-mounted
Warranty	5 years